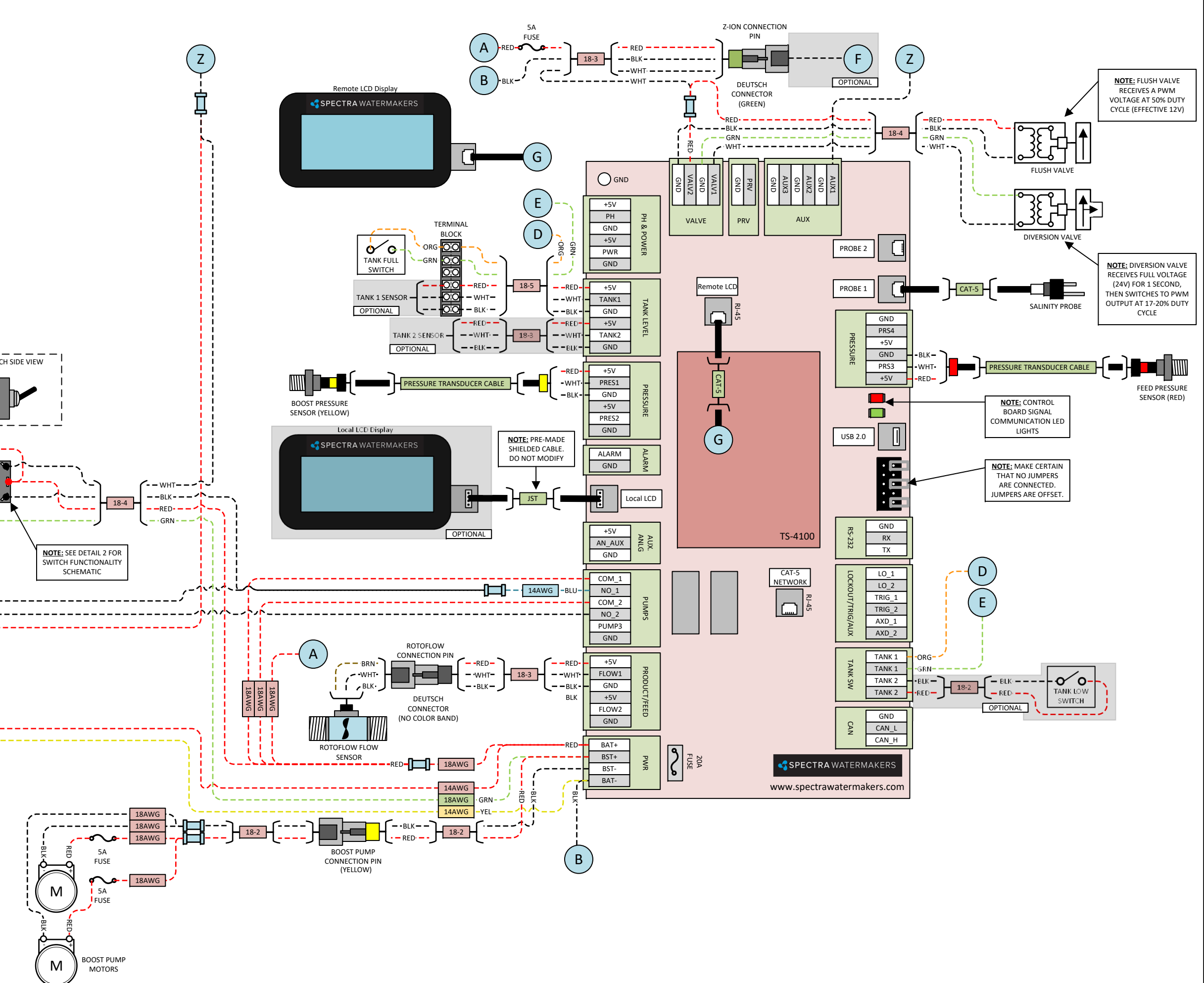
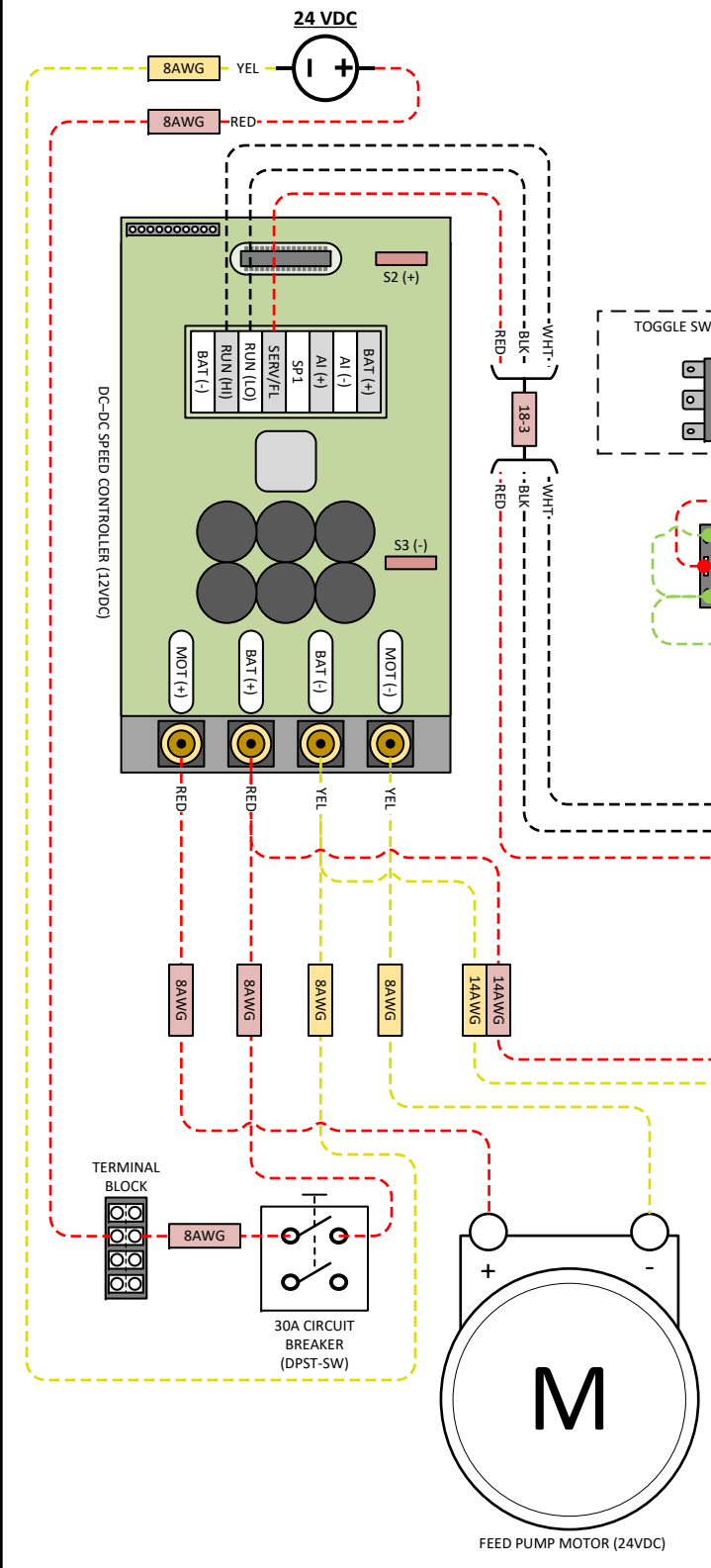
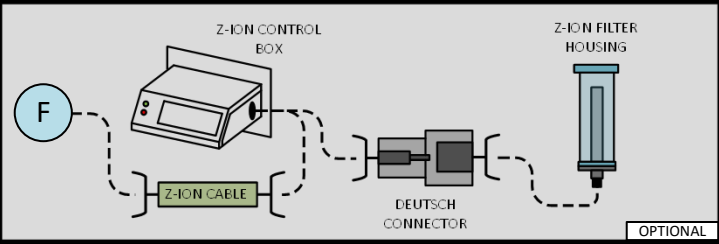
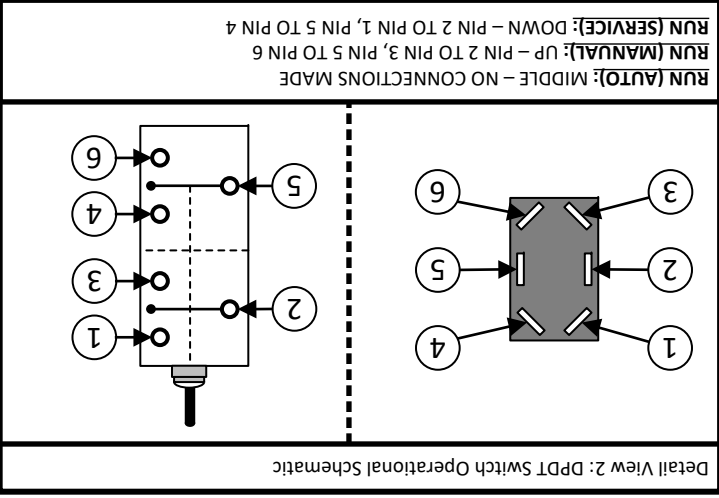


Detail View 1: Z-Ion Wiring/Connection (Optional)





<ul style="list-style-type: none"> • Control System: • V3.0 Firmware • 24VDC Input Voltage 		<ul style="list-style-type: none"> • Applicable System Numbers: • NP-700C-24V • NP-1000C-24V 	
Rev No: A	Date: 04/14/2023	Initial Wiring Diagram for Newport - 700/1000 Connect Systems, 24VDC	
Revision History: NP-700/1000C-24VDC		Newport-700/1000C-24VDC	
Rev No:	Date:	Description:	
Revision: A		Rev Date: 04/14/2023	Print Date: 04/14/2023
Drawn by: LSS		Katadyn Desalination	

List of Symbols: KEY

BLK	WIRE COLOR LABEL – INDICATES A BLACK WIRE
RED	WIRE COLOR LABEL – INDICATES A RED WIRE
WHT	WIRE COLOR LABEL – INDICATES A WHITE WIRE
GRN	WIRE COLOR LABEL – INDICATES A GREEN WIRE
YEL	WIRE COLOR LABEL – INDICATES A YELLOW WIRE
ORG	WIRE COLOR LABEL – INDICATES AN ORANGE WIRE
BLU	WIRE COLOR LABEL – INDICATES A BLUE WIRE
[18-2]	WIRE GAUGE LABEL – INDICATES A GAUGE FOR A CABLE OF MULTIPLE WIRES, FORMATED AS (WIRE GAUGE)-(NUMBER OF WIRES IN CABLE)
18AWG	WIRE GAUGE LABEL – INDICATES A GAUGE FOR A SINGLE WIRE
	CAT5 ETHERNET CONNECTION PORT
	USB CONNECTION PORT
	LCD-JST CONNECTION PORT
	WIRING NODE – WIRE BUTT SPLICE CONNECTION
	FUSE – NECESSARY SIZING INFORMATION CALLED OUT ON WIRING DIAGRAM
	CABLING – JST AND CAT5 PRE-FABRICATED CABLES
	WIRING – SINGLE WIRE BLACK OR WHITE – TYPICAL COMM COLOR
	WIRING – SINGLE WIRE RED – TYPICAL ENERGIZED COLOR
	WIRING – SINGLE WIRE YELLOW – TYPICAL NEUTRAL COLOR
	WIRING – SINGLE WIRE GREEN – TYPICAL GROUNDING COLOR
	WIRING – SINGLE WIRE ORANGE – TYPICAL POWER SIGNALING COLOR
	WIRING – SINGLE WIRE BLUE – TYPICAL POWER SIGNALING COLOR
	NOTATION – WIRE CONTINUITY SYMBOL INDICATES CONTINUITY BETWEEN MATCHING ALPHABETIC SYMBOLS – LARGE ALPHABETIC CIRCLE