

# KATADYN MF-31

## PRODUCT CHARACTERISTICS

Technology: Ceramic microfilter  
 Filter elements: 31 pcs.  
 Output: 31x troughput of filter element  
 Working pressure: 1 to 6 bar  
 Water temperature: 5° C to 60° C  
 Capacity: Up to 100'000 liters per filter element, depending on water quality  
 Dry weight: Approx. 130 kg  
 Height: 1159 mm  
 Diameter: 613 mm  
 Material: 1.4404/1.4301  
 1.4408 (Fittings)

Article no.: 8020887 Katadyn MF-31 without filter  
 Article no.: 8020888 Katadyn MF-31 incl. filter no. 5



sample picture MF-54

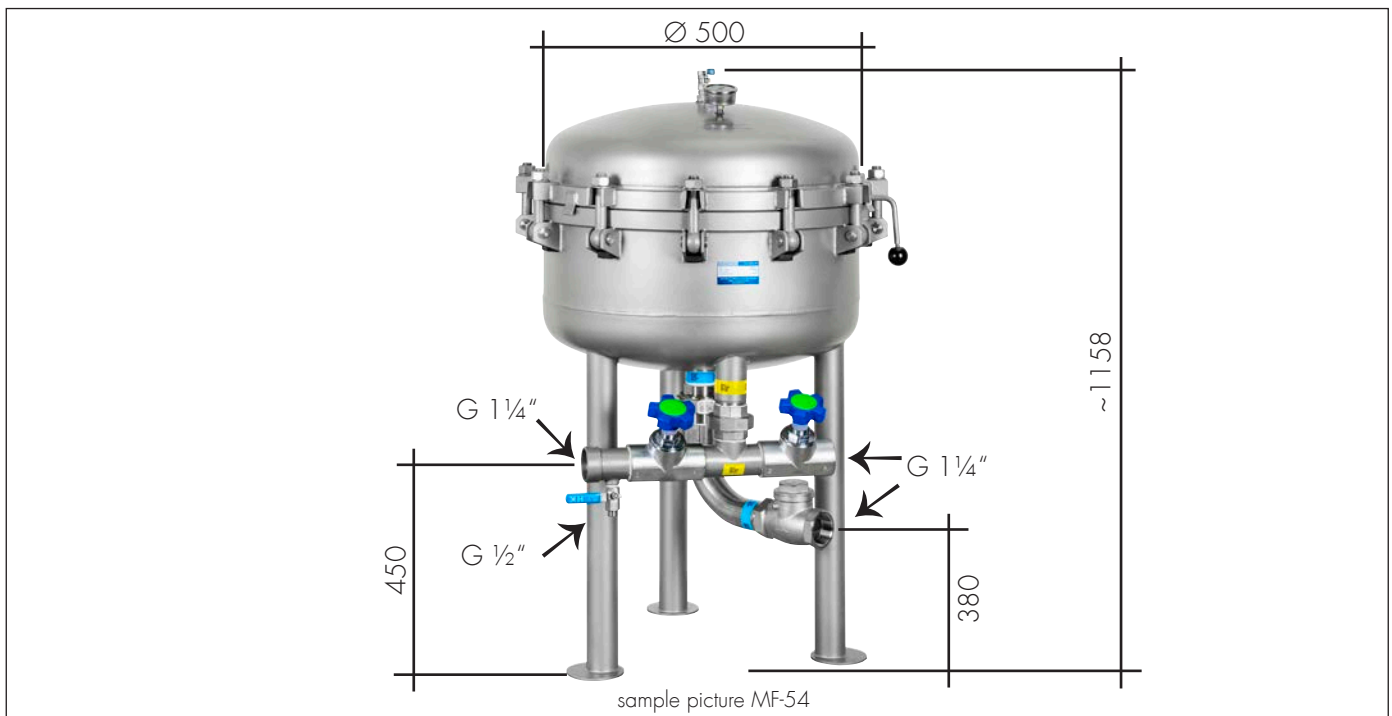
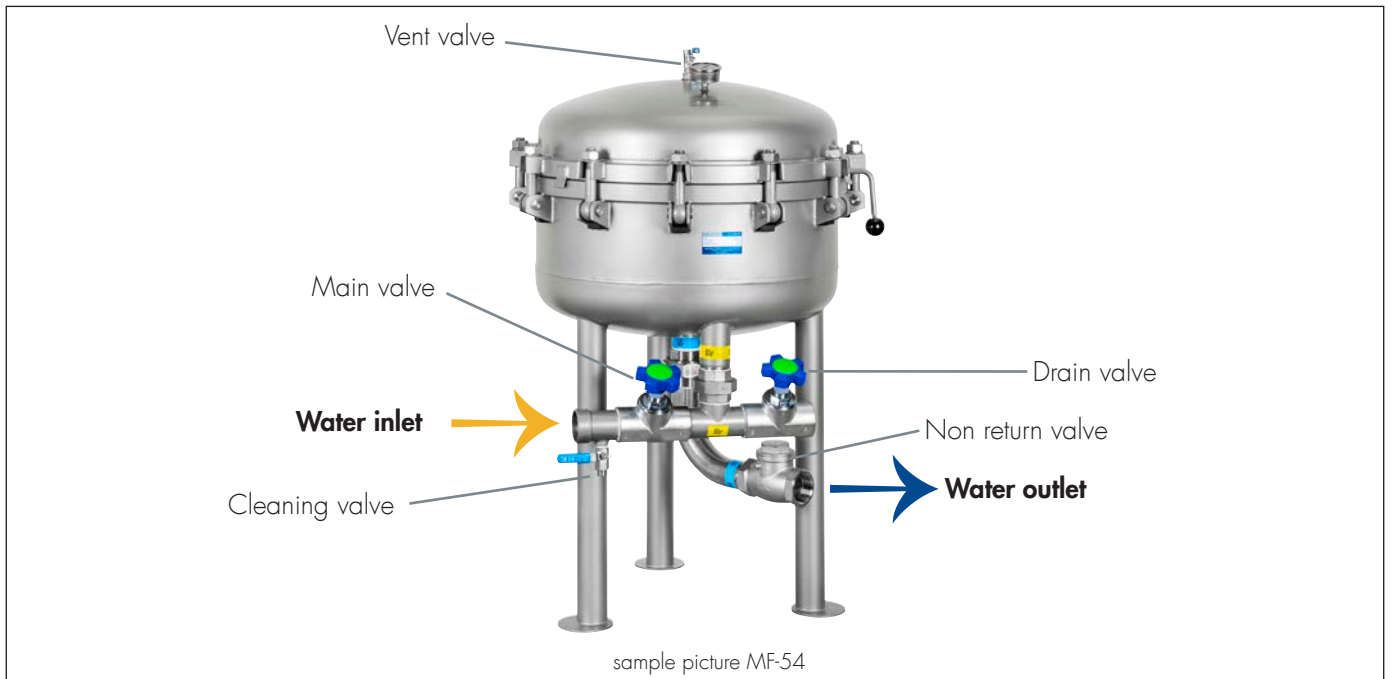
## FACTS

- \*99.9999% removal of bacteria
- \*\*99.9% removal of protozoa
- No removal of essential minerals
- High-quality stainless-steel equipment
- Easy low-cost operation
- Up to 100 cleaning cycles are possible for the ceramic filter elements

\*/\*\* US Environmental Protection Agency Guide Standard and Protocol for Testing Microbiological Water Purifiers.

**KATADYN MF-31**

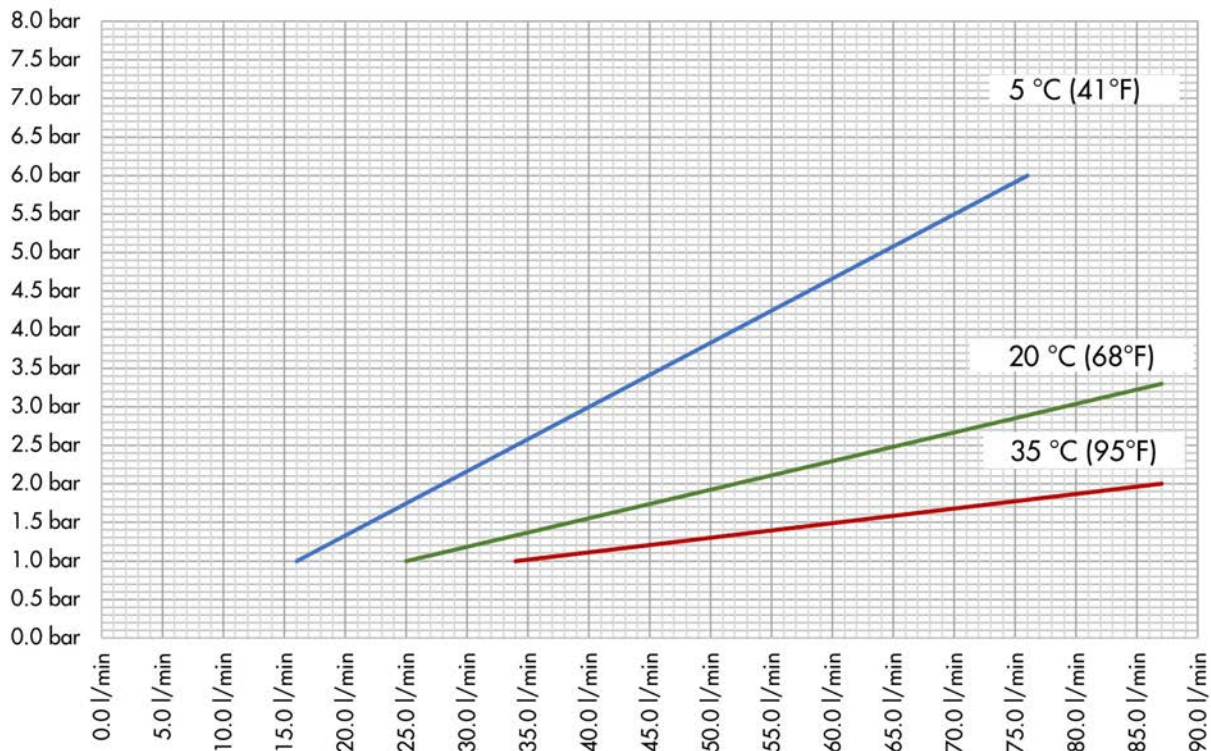
**DIMENSION AND CONNECTION**



# KATADYN MF-31

PERFORMANCE KATADYN MF-31 INCL. FILTER NO. 5

## FLOW RATE DIAGRAM



### COMPATIBLE FILTER ELEMENTS

Article no. 1040	Katadyn filter element no. 4	Ceramic depth filter with permanently embedded silver 0.2 µm nom. End caps in chrome-plated brass
Article no. 1250	Katadyn filter element no. 5	Ceramic depth filter with permanently embedded silver 0.2 µm nom. End caps in stainless steel 1.4435
Article no. 1912	Katadyn filter element no. 55	Ceramic depth filter 0.2 µm nom. End caps in stainless steel 1.4435
Article no. 1060	Katadyn filter element no. 6*	Ceramic depth filter 1 µm nom. End caps in chrome-plated brass *designed for coarse filtration. No removal of bacteria or protozoa.

Katadyn reserves the right to modify product characteristics.

Version: 15.01.2021

#### Katadyn Products Inc.

Pfäffikerstrasse 37 | 8310 Kempthal | Switzerland  
 Tel: +41 44 839 21 47 | Fax: +41 44 839 21 11  
 info@katadyn.com | www.katadyn.com