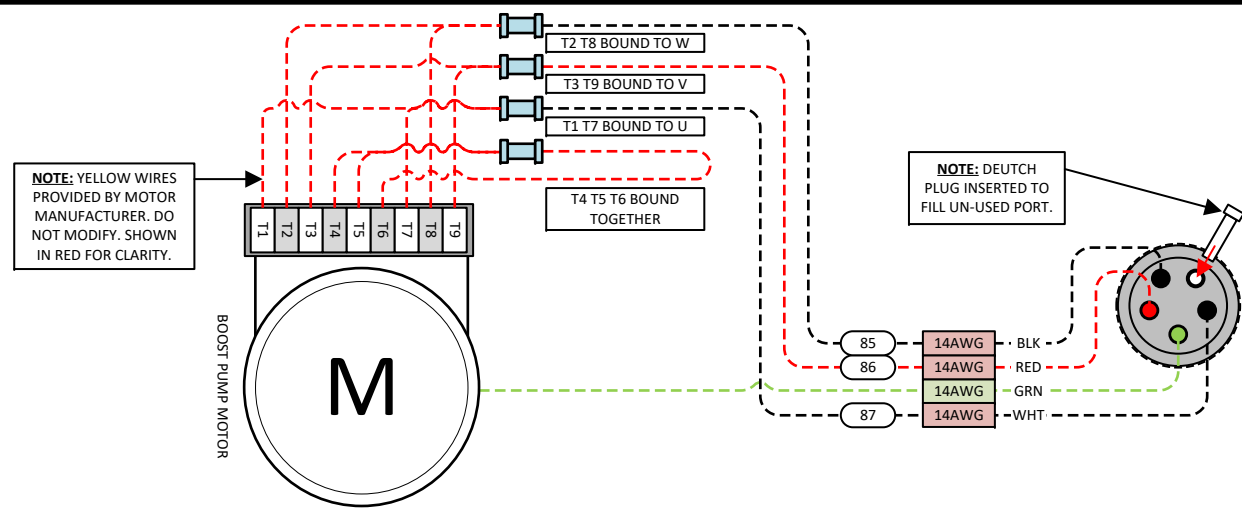
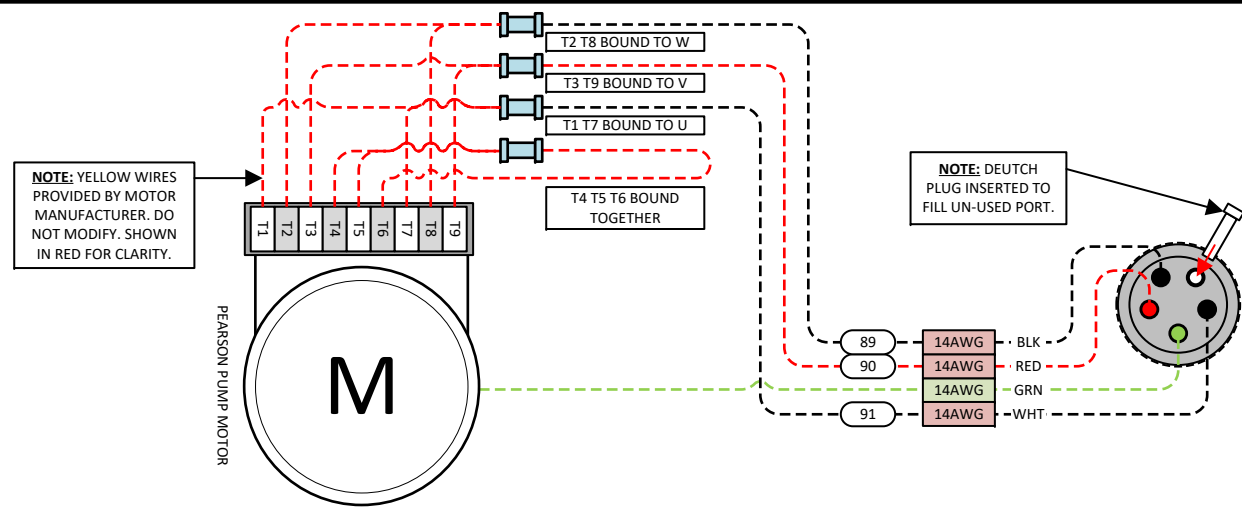


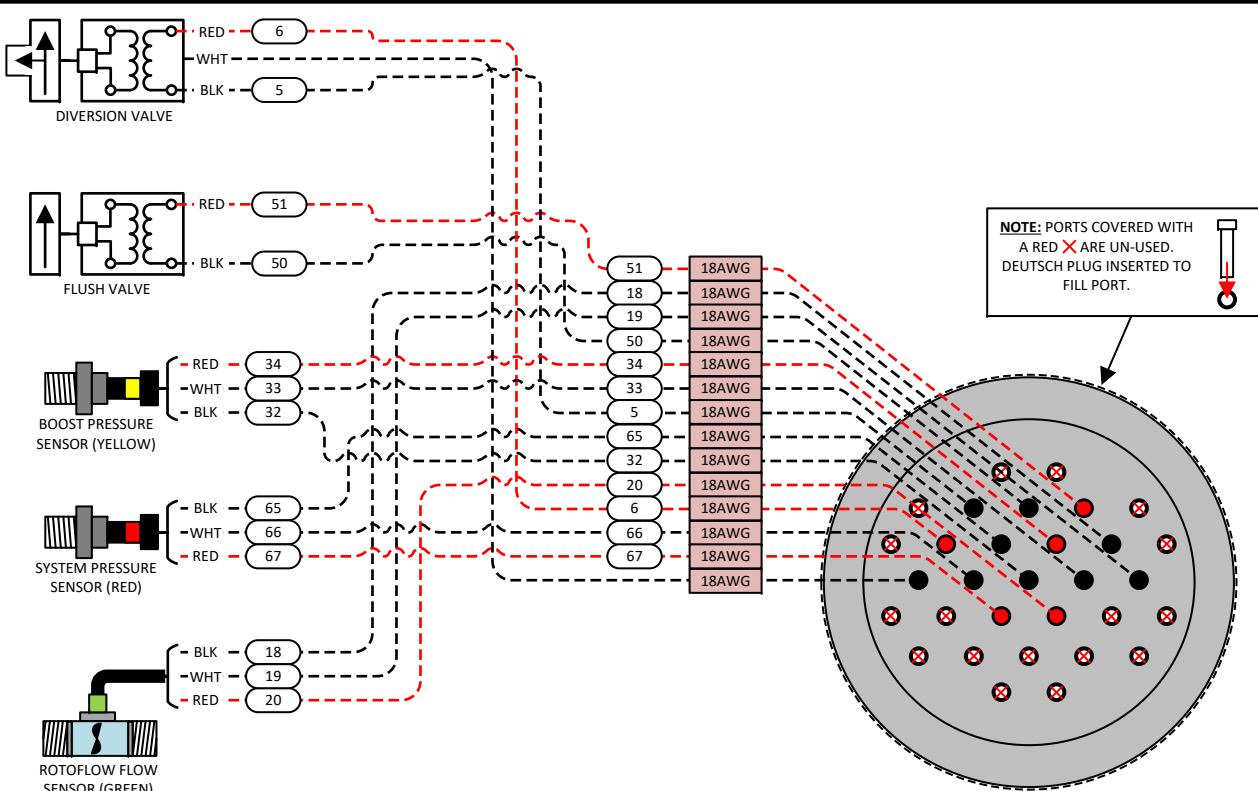
Detail View 1: Multi-Pin (5 Pin) Electrical Connection, TOP



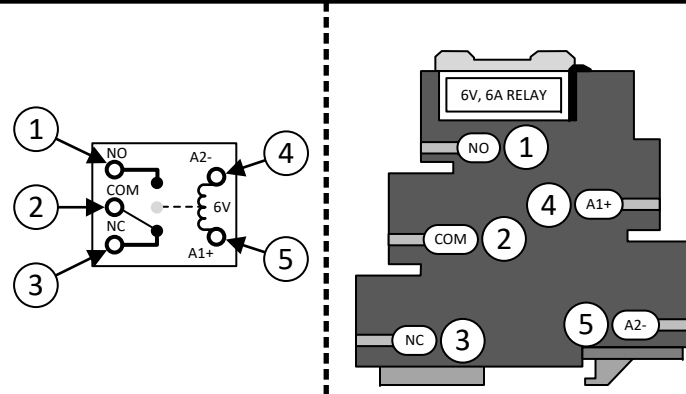
Detail View 2: Multi-Pin (5 Pin) Electrical Connection, BOTTOM



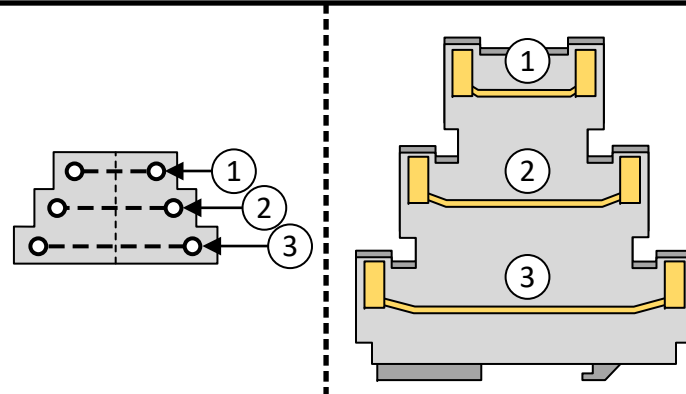
Detail View 3: Large Multi-Pin (31 Pin) Electrical Connection:



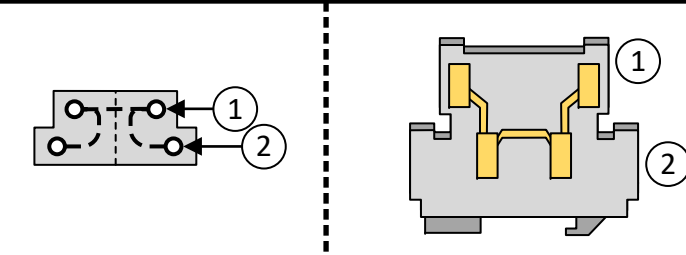
Detail View 4: SPDT DIN-Rail Relay Pin Identification Detail



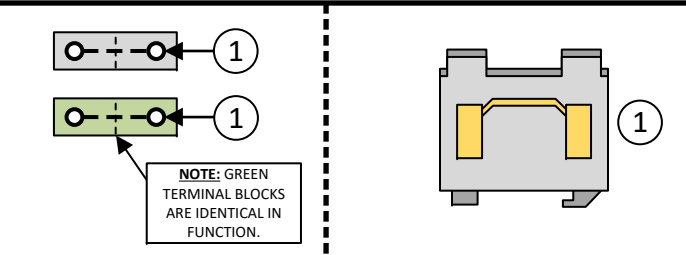
Detail View 5: DIN-Rail 3-Pole 2-Throw Terminal Block Identification Detail



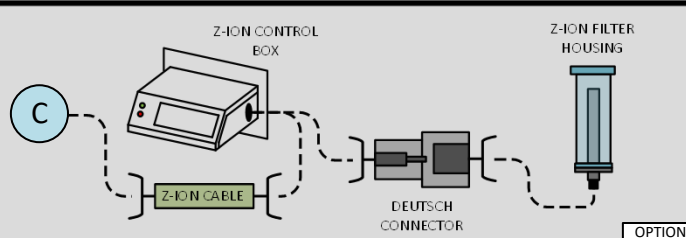
Detail View 6: DIN-Rail 1-Pole 4-Throw Terminal Block Identification Detail



Detail View 7: DIN-Rail 1-Pole 2-Throw Terminal Block Identification Detail



Detail View 8: Z-Ion Wiring/Connection (Optional)



List of Symbols: KEY

BLK	WIRE COLOR LABEL - INDICATES A BLACK WIRE
RED	WIRE COLOR LABEL - INDICATES A RED WIRE
WHT	WIRE COLOR LABEL - INDICATES A WHITE WIRE
GRN	WIRE COLOR LABEL - INDICATES A GREEN WIRE
YEL	WIRE COLOR LABEL - INDICATES A YELLOW WIRE
ORG	WIRE COLOR LABEL - INDICATES AN ORANGE WIRE
BLU	WIRE COLOR LABEL - INDICATES A BLUE WIRE
(18-2)	WIRE GAUGE LABEL - INDICATES A GAUGE FOR A CABLE OF MULTIPLE WIRES, FORMATED AS (WIRE GAUGE)-(NUMBER OF WIRES IN CABLE)
18AWG	WIRE GAUGE LABEL - INDICATES A GAUGE FOR A SINGLE WIRE
[Icon]	CATS ETHERNET CONNECTION PORT
[Icon]	USB CONNECTION PORT
[Icon]	LCD-JST CONNECTION PORT
[Icon]	FUSE - NECESSARY SIZING INFORMATION CALLED OUT ON WIRING DIAGRAM
[Icon]	CABLING - JST AND CAT5 PRE-FABRICATED CABLES
[Icon]	WIRING - SINGLE WIRE BLACK OR WHITE - TYPICAL COMM COLOR
[Icon]	WIRING - SINGLE WIRE RED - TYPICAL ENERGIZED COLOR
[Icon]	WIRING - SINGLE WIRE YELLOW - TYPICAL NEUTRAL COLOR
[Icon]	WIRING - SINGLE WIRE GREEN - TYPICAL GROUNDING COLOR
[Icon]	WIRING - SINGLE WIRE ORANGE - TYPICAL POWER SIGNALING COLOR
[Icon]	WIRING - SINGLE WIRE BLUE - TYPICAL POWER SIGNALING COLOR
[Icon]	SECTION DIVIDER - CONTROL BOX - NOT A PHYSICAL ELEMNT
[Icon]	WIRING NODE - WIRE BUTT SPLICE CONNECTION
[Icon]	DIODE - ELECTRICAL DIODE - CURRENT FLOW IN DIRECTION OF ARROW
[Icon]	EXTERNAL POWER SOURCE - POWER EXTERNAL TO UNIT, PROVIDED TO UNIT - 220VAC
1	NOTATION - NOTE CALL OUT INDICATES A NOTE THAT APPLIES TO MULTIPLE AREAS OR PIECES OF HARDWARE - SMALL NUMERIC CIRCLE
A	NOTATION - WIRE CONTINUITY SYMBOL INDICATES CONTINUITY BETWEEN MATCHING ALPHABETIC SYMBOLS - LARGE ALPHABETIC CIRCLE
[Icon]	JUMPER - INDICATES PLACEMENT AND TERMINATION LOCATION FOR JUMPER - 2 OR 4 PIN - 2 PIN SHOWN
[Icon]	WIRING - PASS THROUGH CONNECTOR - RJ-45/RJ-12

- Control System:
 • V3.0 Firmware
 • 220V Input Voltage
- Applicable System Numbers:
 • FL-1,800C-110V
 • FL-1,800C-220V
 • FL-2,800C-220V

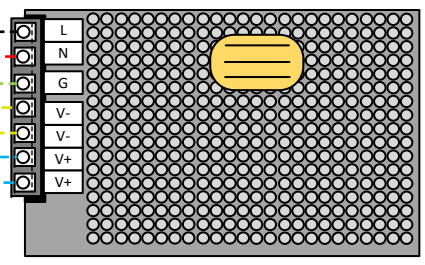
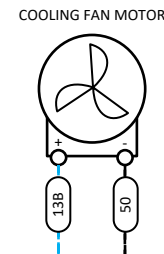
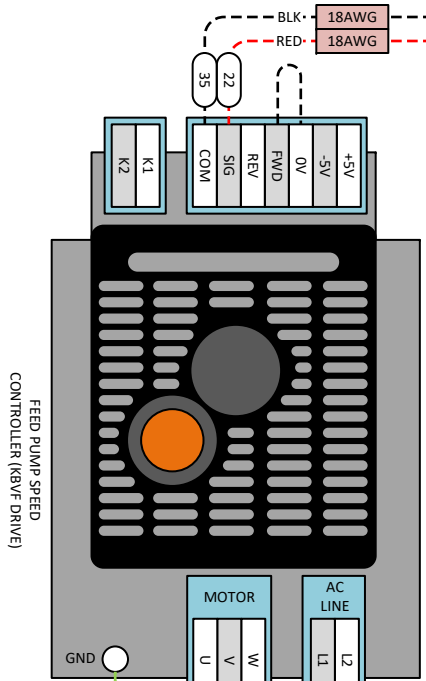
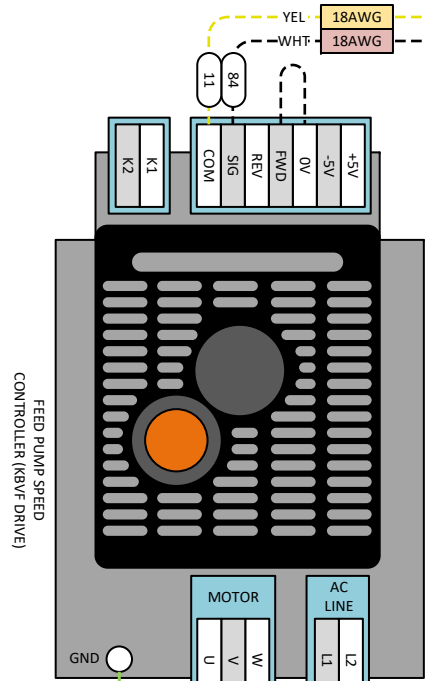
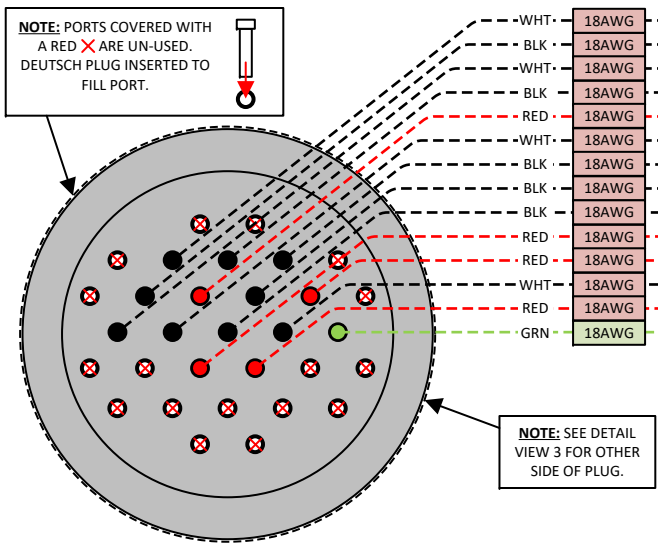
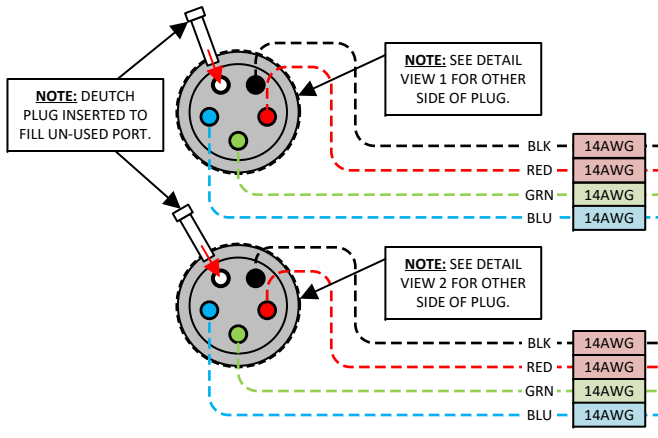
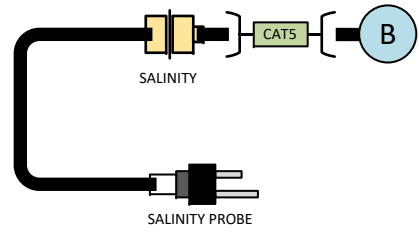
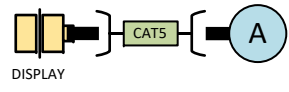
Revision History: FL-1,800/2,800C-110/220V

Rev No:	Date:	Description:
A	09/26/2023	Initial Wiring Diagram for Connect Farallon-1,800/2,800 Systems, 110/220V

Farallon-1,800/2,800C-110/220V

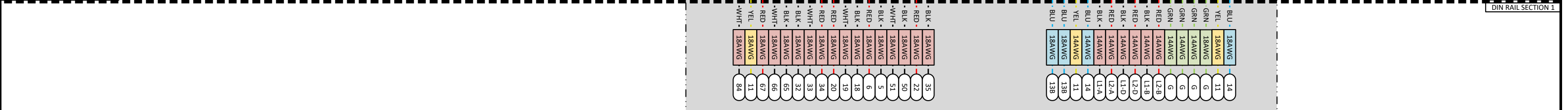
Revision: A
 Rev Date: 09/26/2023
 Print Date: 09/26/2023
 Drawn by: LSS

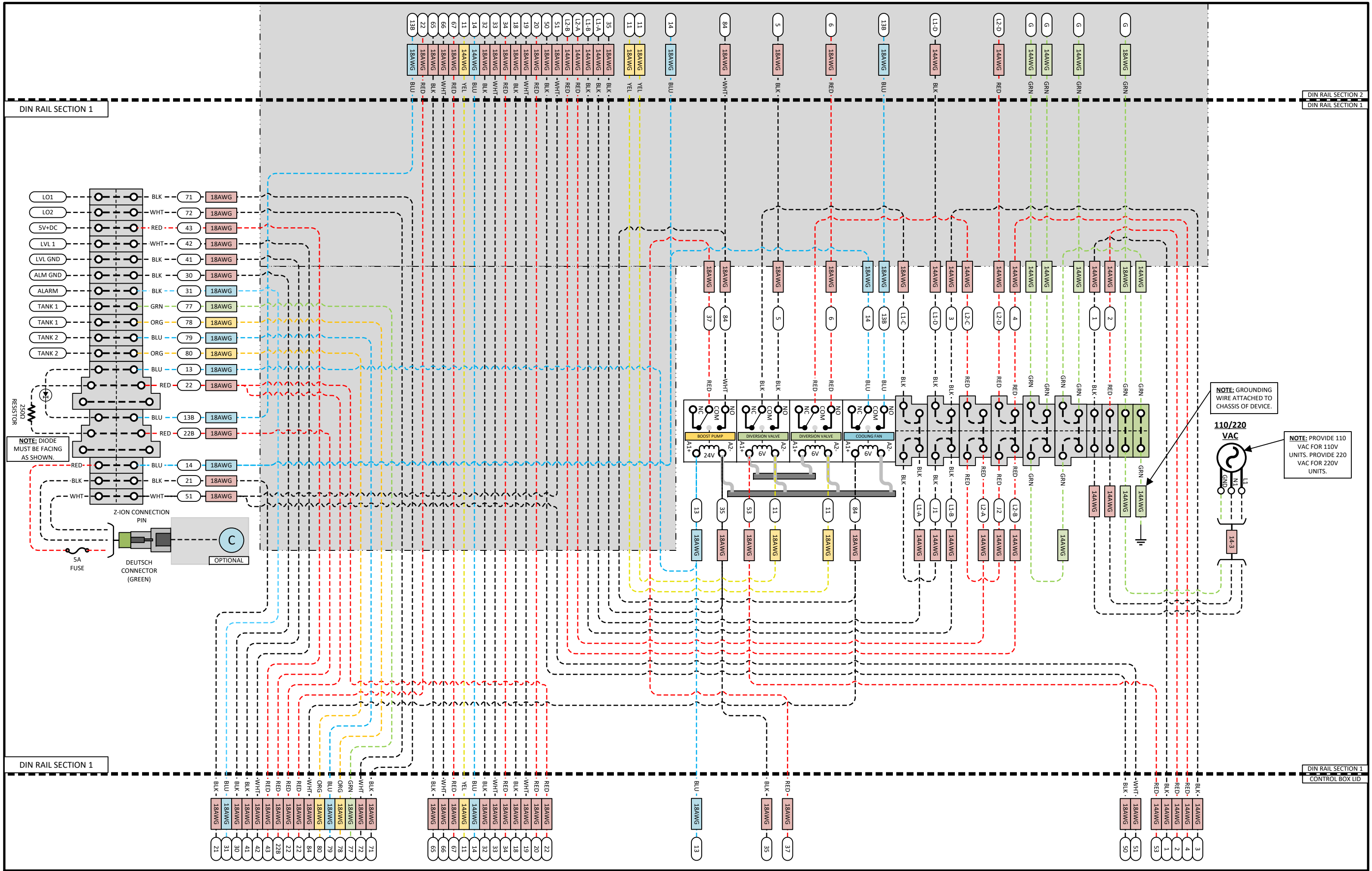
Katadyn Desalination



DIN RAIL SECTION 2

DIN RAIL SECTION 2
DIN RAIL SECTION 1





DIN RAIL SECTION 1

DIN RAIL SECTION 2
DIN RAIL SECTION 1

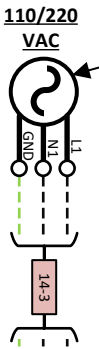
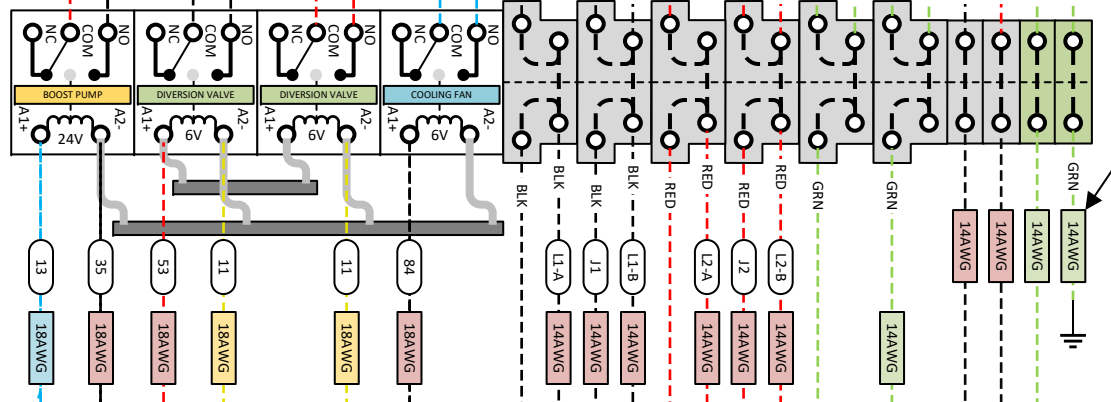
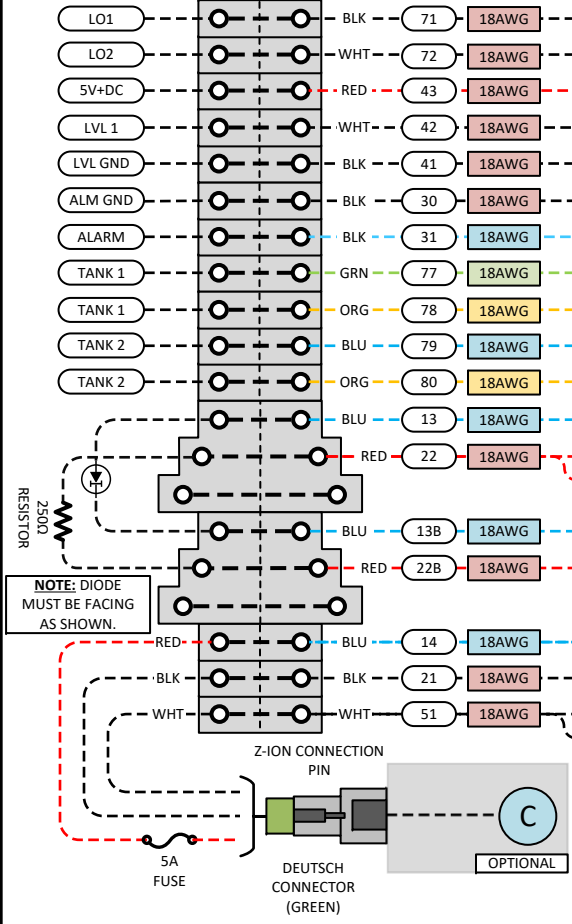
DIN RAIL SECTION 1

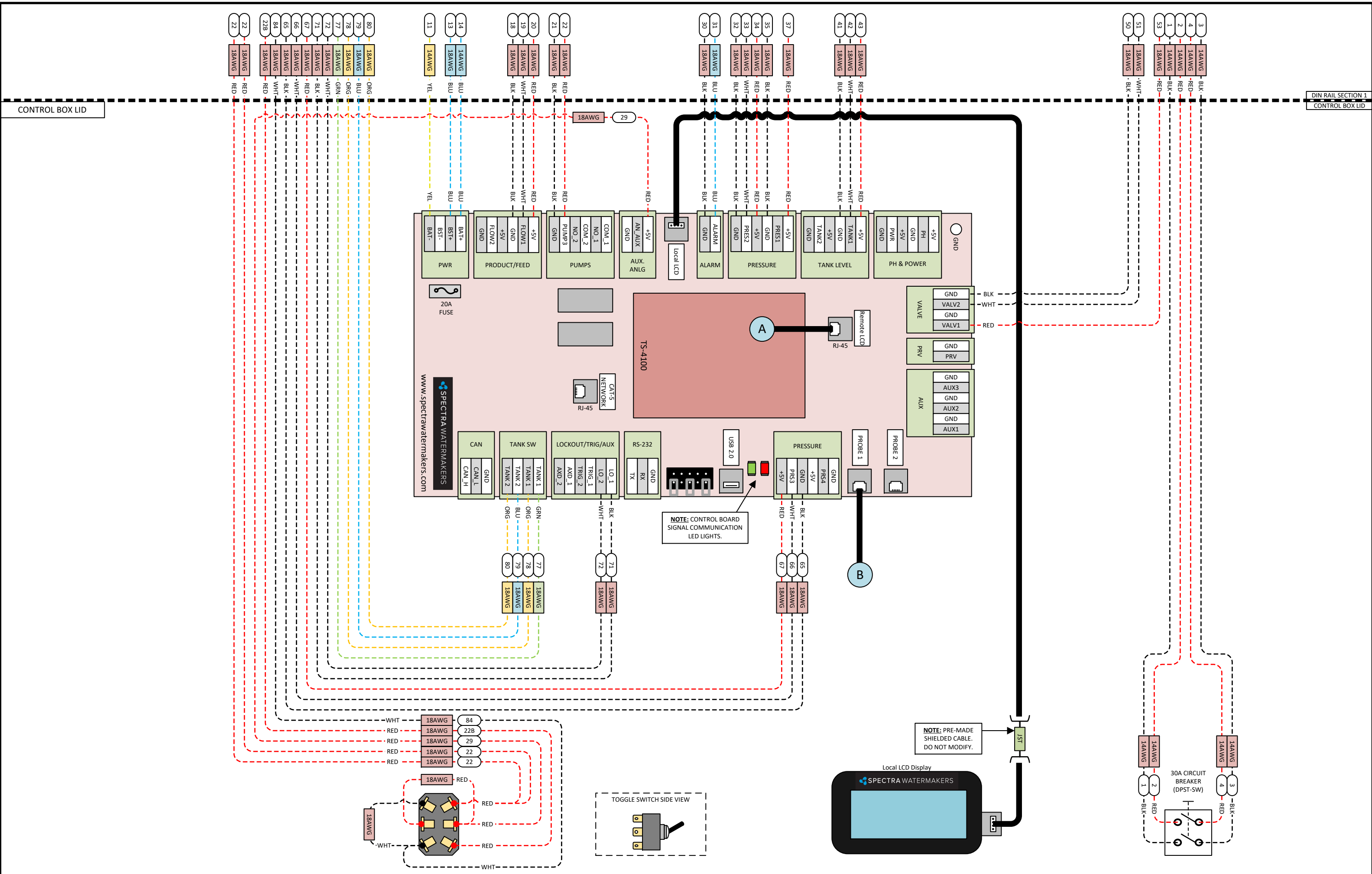
DIN RAIL SECTION 1
CONTROL BOX LID

NOTE: DIODE MUST BE FACING AS SHOWN.

NOTE: GROUNDING WIRE ATTACHED TO CHASSIS OF DEVICE.

NOTE: PROVIDE 110 VAC FOR 110V UNITS. PROVIDE 220 VAC FOR 220V UNITS.





CONTROL BOX LID

DIN RAIL SECTION 1
CONTROL BOX LID

NOTE: PRE-MADE SHIELDED CABLE. DO NOT MODIFY.

NOTE: CONTROL BOARD SIGNAL COMMUNICATION LED LIGHTS.

www.spectrawatermakers.com

Local LCD Display

TOGGLE SWITCH SIDE VIEW

30A CIRCUIT BREAKER (DPST-SW)

DIN RAIL SECTION 1
CONTROL BOX LID