

OPTIMUS CRUX LITE COOK SYSTEM TACTICAL

PRODUCT CHARACTERISTICS

Gas:	Butane/propane/isobutane
ø Burning time:	Up to 90 minutes at full output (230 g gas cartridge)
ø Cooking time:	For 1 l water approx. 3 minutes
Output:	Watt: 3000 BTU: 10'200
Weight:	400 g
Volume:	0.95 L
Dimensions:	124 x 165 mm
Guarantee:	2 years
Material:	Burner: stainless steel, aluminum Pots: hardanodized aluminum
Content:	Crux Lite gas stove, 0.95 L saucepan with pouring lip and measuring marks, fry pan (lid), mesh storage bag and nylon bag for Crux Lite
Article No.:	8020429 Optimus Crux Lite Cook System Tactical

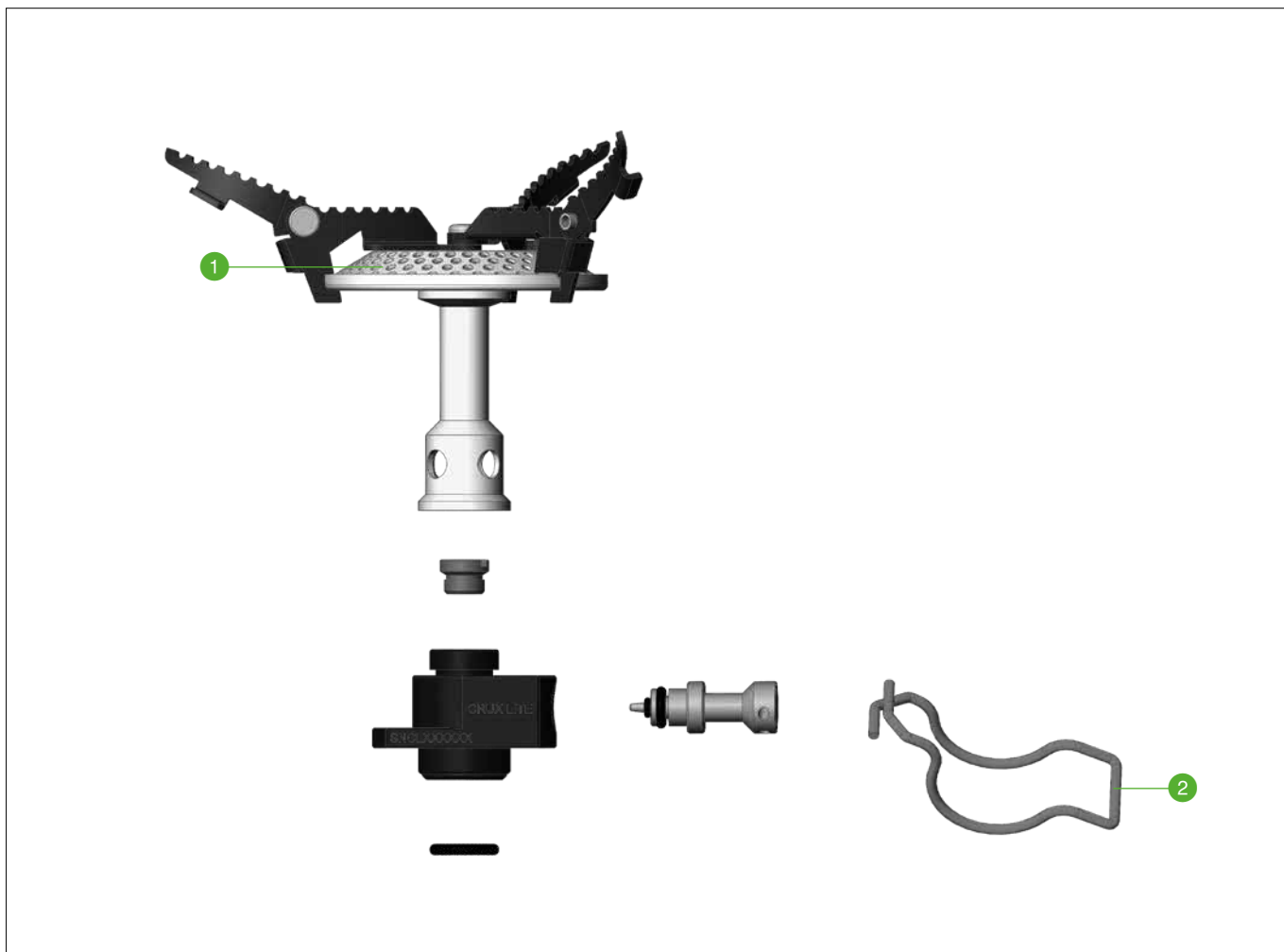


PRODUCT CHARACTERISTICS > BENEFITS

- Efficient 3-piece cooking system consisting of Optimus Crux Lite gas stove and the Terra Weekend HE Cook Set
- Powerful and stable 3000 W burner
- Large burner head for optimal heat distribution
- Precise flame control – simmering without burning
- Non-stick coated Terra Weekend HE Cook Set of hard-anodized aluminum
- The special Heat Exchanger on the bottom of the saucepan reduces energy consumption and saves fuel when cooking
- Offers perfect space for a 230 g gas cartridge and a folding spork

OPTIMUS CRUX LITE COOK SYSTEM TACTICAL

EXPLODED VIEW OPTIMUS CRUX LITE



- 1 Burner head
- 2 Control handle

Katadyn reserves the right to modify product characteristics