

PURPOSE OF THE KIT

This kit provides a new motor with the complete eccentric drive.

INSTALLATION INSTRUCTIONS

CONTENT OF THE KIT

- Motor 12 V
- Eccentric drive
- Small parts

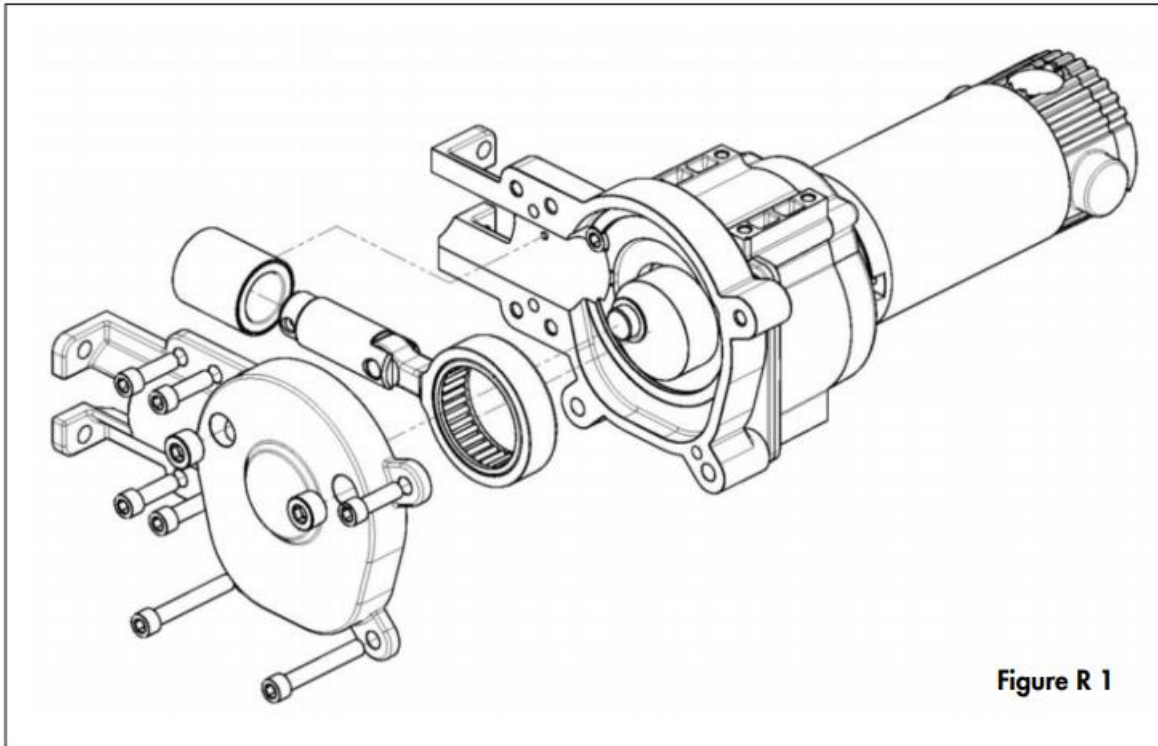


Figure R 1

TOOLS REQUIRED

- 1/4" Allen wrench
- 1/2" open-end wrench
- Small screwdriver

DISASSEMBLY

1. If possible, run the watermaker before disassembly. Stop it when the piston shaft is at its farthest point of travel away from the pump. This provides enough room for sliding the rubber boot toward the pump in Step 3.
2. Disconnect the pump from the drive assembly by removing the four hex nuts.
3. Slide the black rubber boot on the piston shaft towards the pump to expose the drive shaft coupling pin. Use a small Allen wrench or similar tool to push the coupling pin out of the drive shaft. Be aware that the coupling pin fits loosely in the drive shaft and may fall out when the rubber boot is removed. Be careful not to lose it. Separate the drive assembly from the pump and set the motor aside.

ASSEMBLY

1. Connect the new drive to the power source and check if the drive runs smooth.
2. Slide the rubber boot onto the piston shaft of the pump. See Figure below.
3. Insert a small screwdriver or an Allen wrench through the hole in the piston shaft and rotate the shaft to align its hole with the hole in the slider shaft of the drive assembly. When they are aligned, slide the holes in the drive assembly bracket over the studs projecting from the pump back plate. Insert the coupling pin through the aligned holes in the slider shaft and piston shaft. Push the rubber boot over the coupling pin to hold it in place.
4. Install the four hex nuts on the studs projecting from the pump back plate through the drive assembly bracket and tighten evenly with a 1/2" open-end wrench and 1/4" Allen wrench. Do not overtighten these fasteners!

