

#### PURPOSE OF THE KIT

The Kit Brush PS40 12 V provides two new brushes for the motor of PowerSurvivor 40, 12V.

#### CONTENT OF THE KIT

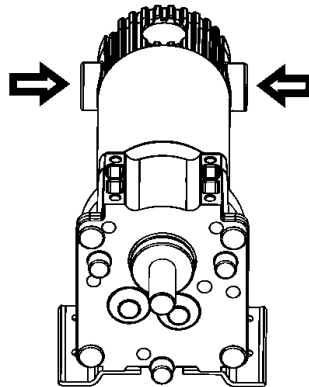
- 2x Brush Motor, 12 V

#### TOOLS REQUIRED

- Flat blade screwdriver for opening the brush cap

#### INSTALLATION PROCEDURE

- Disconnect the motor from the power source
- Open the brush cap on both sides of the motor with a screwdriver
- Remove the brush on both sides
- Replace the used brushes on both sides with new brushes
- Close the brush cap on both sides firmly with a screwdriver
- Connect the motor to the power source



**NOTE:** This kit is exclusively for use on the 12-Volt version of the Power Survivor 40