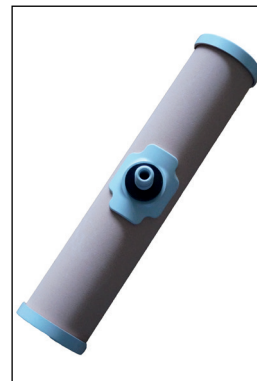


KATADYN RAPIDYN GRAVITY FILTER 10L

PRODUCT CHARACTERISTICS

Technology:	0.2 micron ceramic depth filter (cleanable)
Effect:	Eliminates bacteria, protozoa, cysts, algae, spores, sediments and particles greater than 0.2 microns.
Output:	Up to 4 l/h
Volume:	10L
Capacity:	Up to 20'000 l, depending on water quality*
Weight:	Approx. 1140 g
Dimensions:	54.8 x 28.6 x 22.1 cm
Content:	Filter Element, 2 x 10L Bucket (with predrilled holes), Outlet Tap Kit, Cleaning Pad, Measuring Gauge
Manual Lang:	English with pictograms
Article No.:	8021074 Katadyn Rapidyn Gravity Filter 10L
MOQ:	25 pcs (shipped in bulk)



10L Bucket - solid white

LOGISTICS DATA

Pieces per pallet:	100 pcs
Weight per pallet (incl. pallet):	approx. 120 Kg
Pallet dimensions (incl. pallet):	approx. 120 x 80 x 110 cm

PRODUCT CHARACTERISTICS > BENEFITS

Emergency filter for small to large groups in temporary need of water filtration solution. (Buckets included)

Highest flow rate for gravity application

Off-grid use: No need for pumping or connection to a tap thanks to gravity

Protection: 0.0002 mm (0.2 micron) ceramic microfilter. Safely traps all harmful bacteria and retains suspended solids without the use of chemicals. No removal of essential minerals. Meets classification standard „Highly Protective“ on bacteria and protozoa described in the WHO Household Water Treatment standard.

99.9999% removal of harmful bacteria and parasites
99.9% removal of Cryptosporidium and Giardia

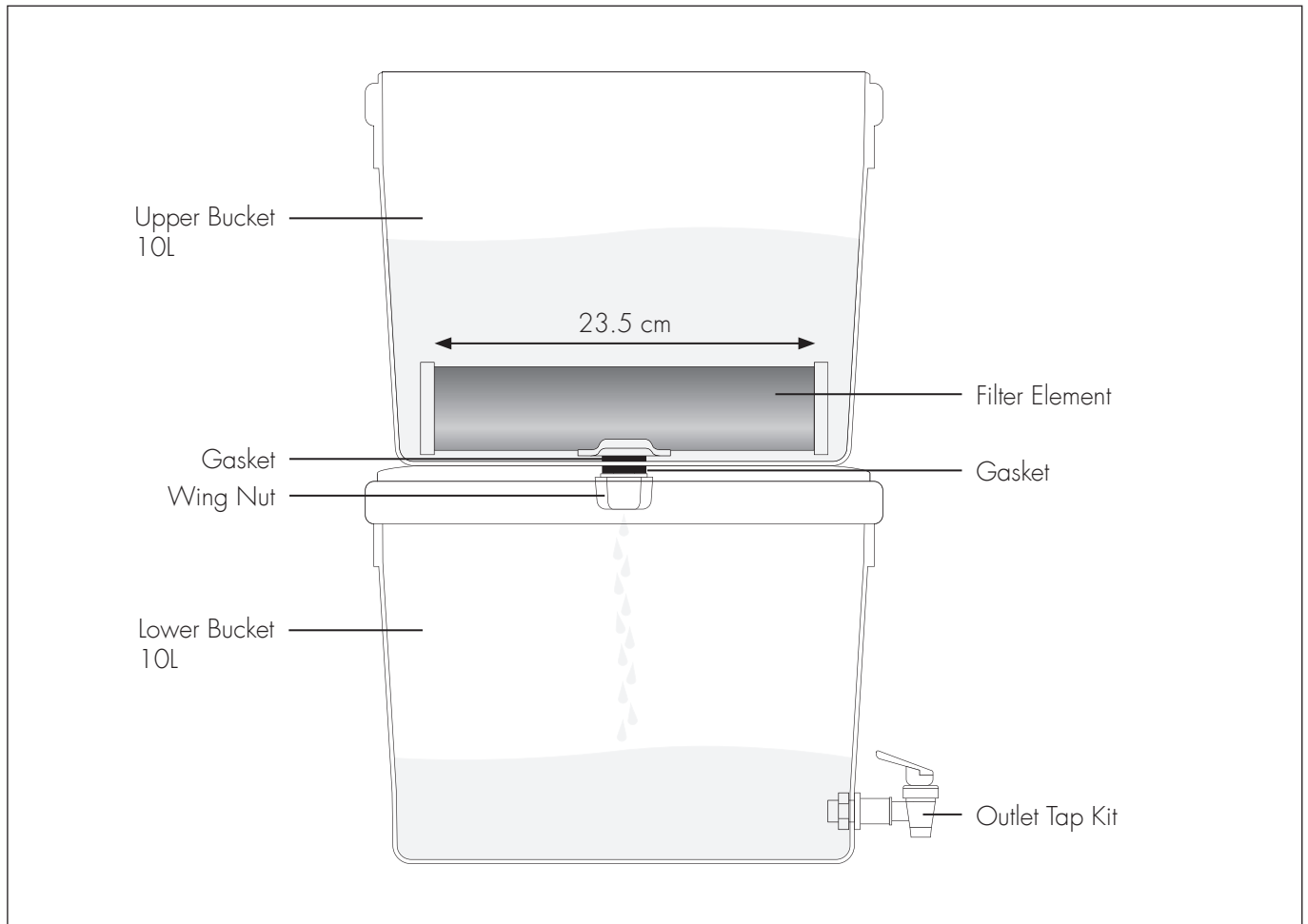
Suitable for first response periods: Unlike disposable filters, the ceramic can be cleaned many times - even in the field.
Advantage - longer use and lower operating costs

Convenience: Readymade 10L buckets are part of this set. The user can therefore quickly and easily setup the filter system and will have drinking water in no time.
All delivered parts last for up to 20'000 liters - no need for replacement

Efficient logistical handling: Bulk packaging for very efficient pallet shipments (100 pieces per pallet).
No single-use plastic packaging.

KATADYN RAPIDYN GRAVITY FILTER 10L

PRODUCT SETUP



Recommendation:

Health benefit studies have shown that combining effective water treatment, safe storage and hygiene (WASH) at the household level have the highest impact on improving health conditions.

Effective Water Treatment: Katadyn ceramic is manufactured in Switzerland with industrialized processes following highest ISO quality control standards. Offering 100% tested and effective water treatment.

Safe storage: plastic buckets used in the food industry can easily be converted to hold a Katadyn ceramic filter and to collect filtered water. The outlet tap will prevent dirty hands from contaminating the treated water. If the water is not to be used on the same day, use Micropur to preserve the water.

*General Test Water (GTW): Chlorine <0.1 mg/L; pH 7.0 +/- 0.5; TOC 1.05 +/- 0.95 mg/L; turbidity < 1 NTU; Temp 20 +/- 3 °C; TDS 275 +/- 225 mg

Katadyn reserves the right to modify product characteristics

Katadyn Products Inc. | Pfäffikerstrasse 37 | 8310 Kempthal | Switzerland
Tel: +41 44 839 21 11 Fax: +41 44 839 21 99
info@katadyn.ch | www.katadyn.com